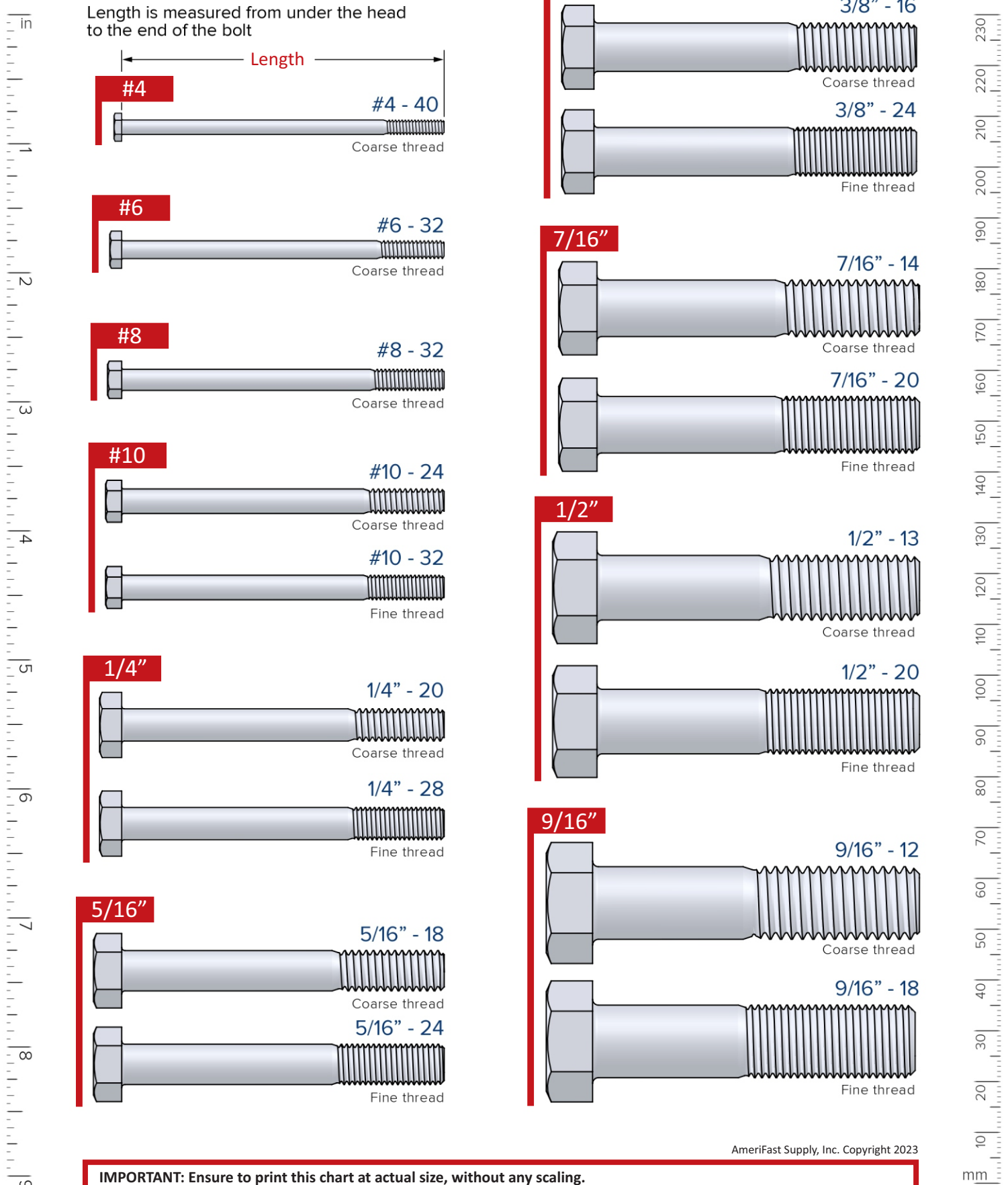


US Hex Bolt Sizes and Thread Pitches

www.amerifastsupply.com



IMPORTANT: Ensure to print this chart at actual size, without any scaling.
Check the scale accuracy by measuring the ruler in the margin after printing. For further information, visit www.amerifastsupply.com/

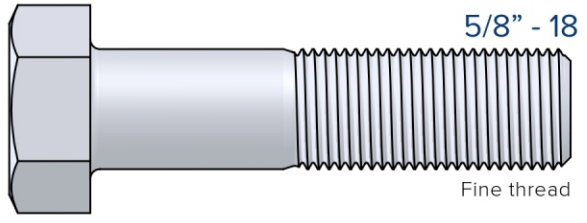
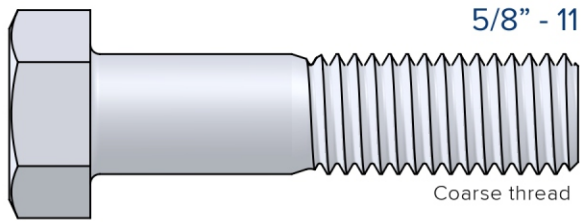
AmeriFast Supply, Inc. Copyright 2023

US Hex Bolt Sizes and Thread Pitches (continued)

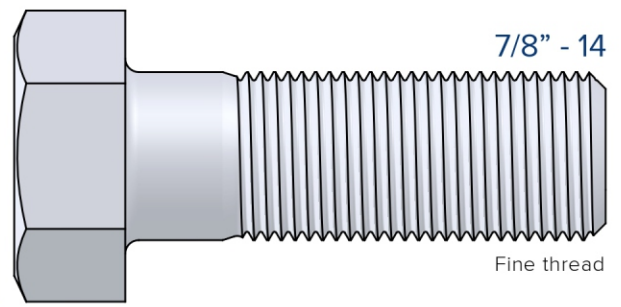
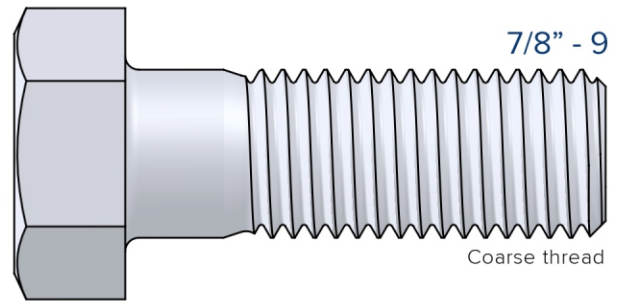
www.amerifastsupply.com



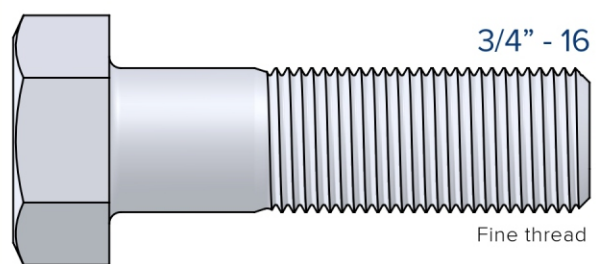
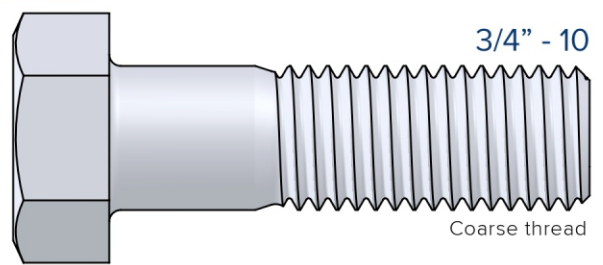
5/8"



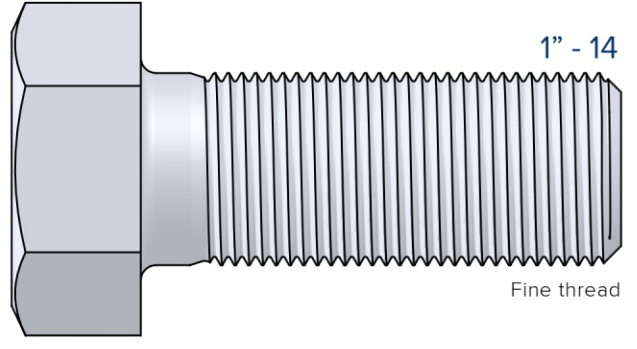
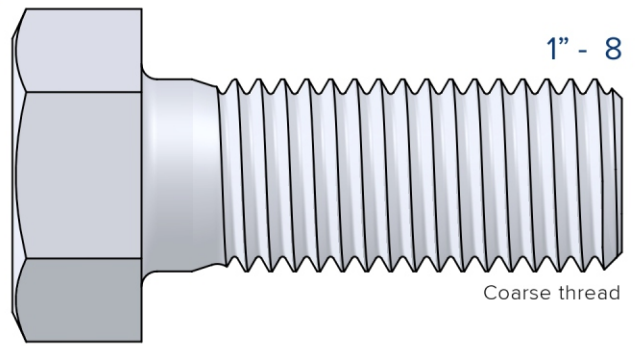
7/8"



3/4"



1"



IMPORTANT: Ensure to print this chart at actual size, without any scaling.
Check the scale accuracy by measuring the ruler in the margin after printing. For further information, visit www.amerifastsupply.com/

AmeriFast Supply, Inc. Copyright 2023